

.100" (2.54 mm) DIP Sockets

ZIP DIP



- For DIPs with .100" (2.54 mm) lead spacing
- Pin counts for 14-64 leads
- Lever actuated zero insertion force mechanism
- Socket easily disassembles for repairability
- Socket contact point of .110" (2.79 mm) below top surface of socket

Date Issued: July 11, 2001

TS-0365-14
Sheet 1 of 3

12

Physical

Insulation

Material: Glass Filled Polysulfone

Flammability: UL 94V-0

Color: Green

Marking: 3M Logo & Part Number Identifier

Contact

Material: Beryllium Copper

Plating: 30 μ " (0.76 μ m) Gold over 50 μ " (1.3 μ m) Nickel

Electrical

Current Rating: 1 Amp

Insulation Resistance: $> 1 \times 10^9 \Omega$ at 500 Vdc

Withstanding Voltage: 1000 Vrms at Sea Level

Environmental

Operating Temperature Rating: - 55 C to +150 C

Mechanical

When used as a test socket at room temperature 24 C the socket will last **20,000 actuations**.

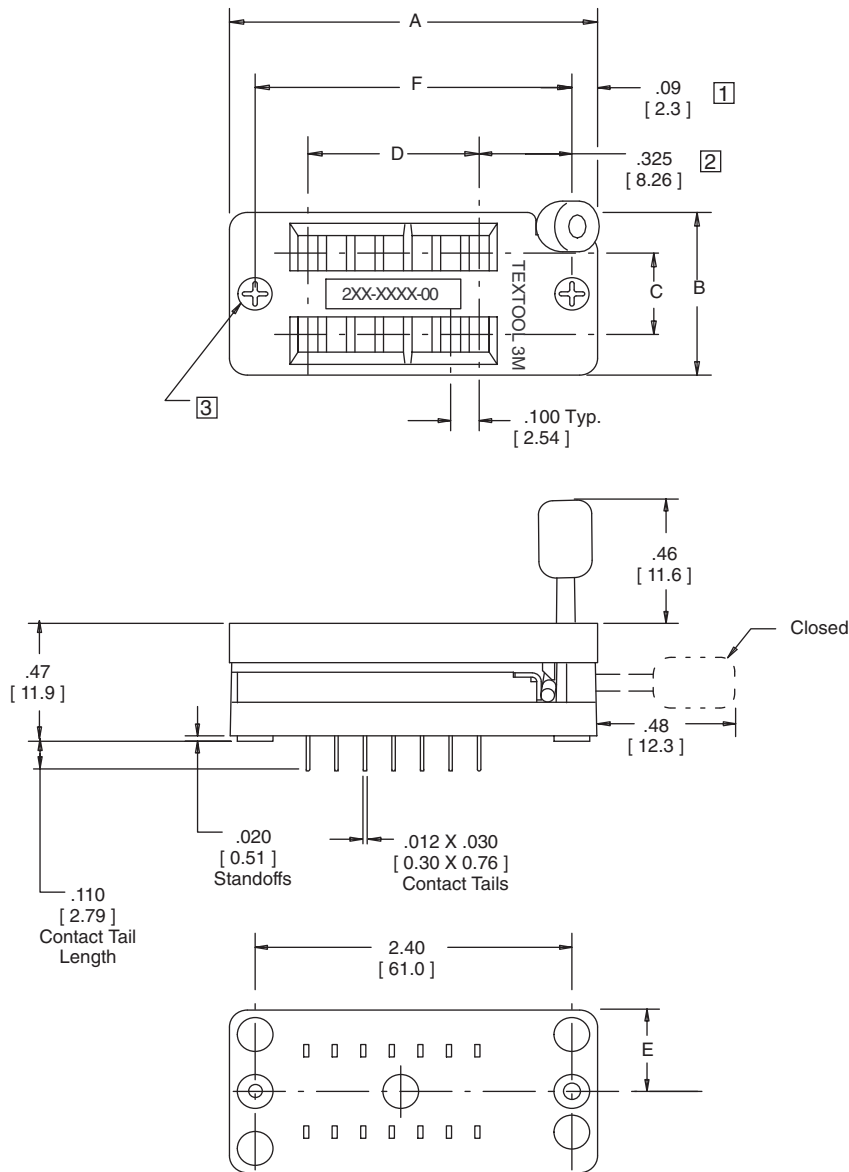
3M Electronic Handling and Protection Division

6801 River Place Blvd.
Austin, TX 78726-9000

For technical, sales or ordering information call **800-328-0411**
or visit our website: <http://www.3M.com/ehpd>

.100" (2.54 mm) DIP Sockets

ZIP DIP



Notes:

- 1 This dimension is .105 [2.67] for the 48 and 64 lead sockets.
- 2 This dimension is .40 [10.2] for the 48 and 64 lead sockets.
- 3 224-1275-00-0602J, 228-1277-00-0602J, 232-1285-00-0602J, 240-1280-00-0602J, 242-1281-00-0602J, and 248-1182-00-0602J have thru holes and no screws.

| | Tolerance $\frac{\text{inch}}{\text{mm}}$ | |
|-----------|---|------------------------------|
| Dimension | $\frac{.00}{(.0)}$ | $\frac{.000}{(.00)}$ |
| Tolerance | $\pm \frac{.010}{(\pm .25)}$ | $\pm \frac{.005}{(\pm .13)}$ |

Ordering Information

See tables on the next page.

.100" (2.54 mm) DIP Sockets

ZIP DIP

| Contact Quantity | Device Row Spacing Accepted | Dim A | Dim B | Dim C | Dim D | Dim E | Dim F |
|------------------|-----------------------------------|-----------------------------------|------------------|-------------------|--------------------|-----------------|------------------|
| 14 | .17 - .43 [4.3] - [10.9] | 1.30 [33.0] | .60 [15.2] | .300 [7.62] | .60 [15.2] | .30 [7.6] | 1.11 [28.2] |
| 16 | .17 - .43 [4.3] - [10.9] | 1.39 [35.3] | | | .70 [17.8] | | 1.21 [30.7] |
| 18 | .17 - .43 [4.3] - [10.9] | 1.49 [37.8] | | | .80 [20.3] | | 1.31 [33.3] |
| 20 | .17 - .43 [4.3] - [10.9] | 1.59 [40.4] | | | .90 [22.9] | | 1.41 [35.8] |
| 22 | .27 - .53 [6.9] - [13.5] | 1.69 [42.9] | .70 [17.8] | .400 [10.16] | 1.00 [25.4] | .35 [8.9] | 1.51 [38.4] |
| 24 | .47 - .73 [11.9] - [18.5] | 1.78 [45.3] | .90 [22.9] | .600 [15.25] | 1.10 [27.9] | .45 [11.4] | 1.61 [40.9] |
| | .17 - .43 [4.3] - [10.9] | 1.79 [45.5] | .60 [15.2] | .300 [7.62] | | .30 [7.6] | |
| 28 | .47 - .73 [11.9] - [18.5] | 1.98 [50.4] | .90 [22.9] | .600 [15.25] | 1.30 [33.0] | .45 [11.4] | 1.81 [46.0] |
| | .27 - .53 [6.9] - [13.5] | 1.99 [50.5] | .70 [17.8] | .400 [10.16] | | .35 [8.9] | 1.83 [46.0] |
| 32 | .47 - .73 [11.9] - [18.5] | 2.19 [55.5] | .90 [22.9] | .600 [15.25] | 1.50 [38.1] | .45 [11.4] | 2.01 [51.1] |
| 40 | .47 - .73 [11.9] - [18.5] | 2.58 [65.6] | | | 1.90 [48.3] | | 2.41 [61.2] |
| | | .87 - 1.13 [22.1] - [28.7] | 2.58 [65.5] | 1.30 [33.0] | 1.000 [25.40] | | .65 [16.5] |
| 42 | .47 - .73 [11.9] - [18.5] | 2.68 [68.2] | .90 [22.9] | .600 [15.25] | 2.0 [50.8] | .45 [11.4] | 2.51 [63.8] |
| 48 | .47 - .73 [11.9] - [18.5] | 2.98 [75.8] | | | 2.30 [58.4] | | 2.81 [71.4] |
| 64 | .77 - 1.03 [19.8] - [26.2] | 3.95 [100.3] | 1.30 [33.0] | .900 [22.86] | 3.10 [78.7] | 65 [16.5] | 3.73 [94.7] |

Ordering Information

| Socket Part Number | Contact Quantity | Distance Between Rows | Mating Receptacle Part Number |
|--------------------|------------------|-----------------------|-------------------------------|
| 214-3339-00-0602J | 14 | .300 [7.62] | 214-3339-XX-0602J |
| 216-3340-00-0602J | 16 | | 216-3340-XX-0602J |
| 218-3341-00-0602J | 18 | | 218-3341-XX-0602J |
| 220-3342-00-0602J | 20 | | 220-3342-XX-0602J |
| 222-3343-00-0602J | 22 | .400 [10.16] | 222-3334-XX-0602J |
| 224-1275-00-0602J | 24 | .600 [15.24] | *224-1275-XX-0602J |
| 224-5248-00-0602J | | .300 [7.62] | 224-5248-XX-0602J |
| 228-1277-00-0602J | 28 | .600 [15.24] | *228-1277-XX-0602J |
| 228-4817-00-0602J | | .400 [10.16] | 228-4817-XX-0602J |
| 232-1285-00-0602J | 32 | .600 [15.24] | *232-1285-XX-0602J |
| 240-1280-00-0602J | 40 | | 240-1280-XX-0602J |
| 240-3639-00-0602J | | | 1.00 [25.4] |
| 242-1281-00-0602J | 42 | .600 [15.24] | *242-1281-XX-0602J |
| 248-1282-00-0602J | 48 | | *248-1282-XX-0602J |
| 264-4493-00-0602J | 64 | .900 [22.86] | 264-4493-XX-0602J |

Contact Tail Length:

XX = 09 Solder Tail .13 [3.3] w/ flanges
 = 19 Wire Wrap Tail .62 [15.8] w/ flanges
 = 29 Solder Tail .13 [3.3] w/out flanges
 = 39 Wire Wrap Tail .62 [15.8] w/out flanges

TS-0365-14
 Sheet 3 of 3

*Only these P/N's available with -09, -19, -29, and -39 receptacle options.
 All others only available with -09, and -19 options.

3M Electronic Handling and Protection Division

6801 River Place Blvd.
 Austin, TX 78726-9000

For technical, sales or ordering information call **800-328-0411**
 or visit our website: <http://www.3M.com/ehpd>